

Datasheet

Issued: Sep 23, 2022

File Edition: A

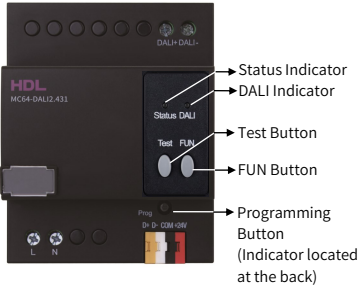


Figure 1.

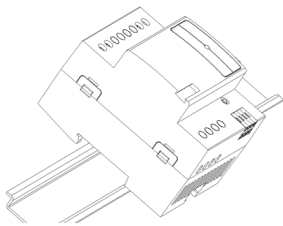


Figure 2.

1. Fix the DIN rail with screws, then buckle the bottom cap of DALI-2 gateway on the edge of the DIN rail;

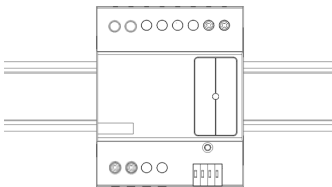


Figure 3.

2. Slide DALI-2 gateway to the desired position.

Overview

With built-in DALI power supply, DALI-2 gateway (See Figure 1) supports both HDL Buspro protocol and DALI Buspro.

By the debugging software, users can configure DALI-2 gateway, including channel control, zone dimming, scene setting etc. After debugging, through the mobile phone App, users can proceed smart control for the lighting devices.

Key functions:

- Up to 64 DALI drivers supported, low limit and high limit settable for each channel
- Up to 16 separate zones, zone dimming supported
- 16 scenes for each zone, up to 90.51s running time for each scene
- Auto status recall for scene settings after reboot
- Color temperature control function supported, which can be applied to broadcast, channel, group and scene control of DT8 type color temperature control ballasts.
- Short circuit protection for DALI wires
- Both manual and online update supported



App Download

Components and Operation

Operation - See Figure 1 & below table; Wiring - See Figure 4

Button / Indicator	Function	Operation / Indicator Status
Programming Button (Indicator located at the back)	Programming mode	Long press programming button for 2s, then the indicator turns red.
	Running mode	The indicator flashes green in every 2s.
	Buspro communication	The indicator flashes red.
	DALI-2 gateway positioning	The indicator flashes red per second.
	Firmware updating for DALI-2 gateway	The indicator flashes red quickly.
DALI Indicator	DALI-2 gateway running normally	The indicator turns green.
	DALI communication	The indicator flashes red.
FUN Button	Turn on/off broadcast	To turn on broadcast, short press FUN button then the status indicator turns red; To turn off broadcast, short press FUN button again, then the status indicator turns off.
Test Button	Re-assign address	To re-assign address, long press the test button for 30s. Then the status indicator flashes green during processing.
	Ballast test	To start all-lamp-flash test, short press the test button; to shut down all-lamp-flash test, short press the test button again. After starting test, if not shut down in 10 minutes, the test will be auto-off. During testing, the status indicator will be on then off in every 2s.



Safety Precautions

- The installation and testing for the product must be carried out by HDL Automation Co., Ltd. or its appointed service agencies. The electric construction shall comply with local laws and safety regulations.
- The device should be installed with DIN rail in DB box. HDL will not be responsible for any consequence caused by the inexpert or faulty installation and wiring methods, which are not in accordance with the instructions contained in this operating instruction.
- Please do not privately disassemble or replace any parts of the product. Otherwise, it may cause mechanical fault, electric shock, fire or personal injuries.
- Please contact our after-sales departments or our designated service agencies for your maintenance service. Product failures caused by private disassembly are not subject to this warranty.
- It is not allowed to exceed the range.

Installation

See Figure 2 - 3

⚠ Note: The illustrations in this datasheet are for reference only and the actual product should prevail.

⚠ Note: The illustrations in this datasheet are for reference only and the actual product should prevail.

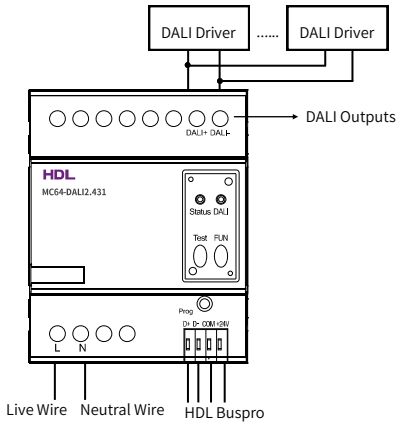


Figure 4.

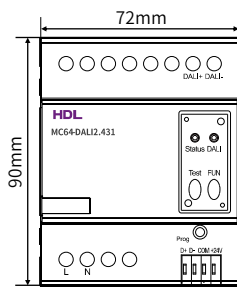


Figure 5.

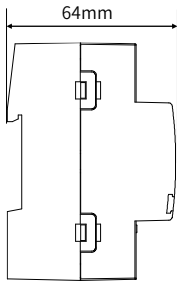


Figure 6.

Technical Data

Basic Parameters

Working voltage	15 - 30V DC
Working current	≤15mA DC
Input voltage	100 - 240V AC (50/60Hz)
Total number of drivers supported	64
Interface	HDL Buspro, DALI

External Environment

Working temperature	-5°C~45°C
Working relative humidity	≤90%
Storage temperature	-20°C~60°C
Storage relative humidity	≤93%

Specifications

Dimensions	72mm×90mm×64mm (See Figure 5 - 6)
Net weight	338g
Housing material	Nylon, PC
Installation	35mm DIN rail installation (See Figure 2 - 3)
Protection rating (Compliant with EN 60529)	IP20

Approved

RoHS

Important Notes

- Before installation, please make sure the DALI-2 gateway is power off.
- Check connections, i.e., tighten all connections after installation.
- There are no polar requirements for DALI Buspro.
- Dedicated HDL Buspro cable is required.
- For HDL Buspro connection, it is recommended to use series connection, namely, hand-in-hand connection.

Package Contents

DALI-2 Gateway*1 / Buspro connector*1 / Label*5 / Datasheet*1

Technical support

E-mail: hdltickets@hdlautomation.com

Website: <https://www.hdlautomation.com>

©Copyright by HDL Automation Co., Ltd. All rights reserved.
Specifications subject to change without notice.