



Data Sheet

RISH Compact Split Core CT



Measure



Control



Record



Analyze

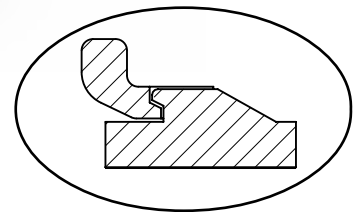
General specification

- # Applicable standard :- IEC 61869
- # Thermal nominal continuous rated current :- $1.2 \times I_n$
- # Thermal nominal short time current :- $60 \times I_n$, 1 Sec.
- # Maximum Operating Voltage :- 0.72 kV
- # Rated Frequency :- 50 Hz or 60 Hz
- # Insulation Test Voltage :- 3 kV, 1 Min.
- # Insulation Class:- E
- # Ambient temperature range:- -20 to +45°C
- # Storage temperature range:- -30 to +60°C
- # Ratios ranging from 60/1 to 500/5 .
- # Suitable only for mounting on insulated primary conductor.
- # To be used in weather protected & dry location.
- # Accuracy Class of 1 & 3 *



Features:

- # Hinged Split Core.
- # Swing open for ease of installation.
- # Compact size.
- # Two options for Bus Bar Mounting.
- # Cable Tie provision for faster installation.
- # Safety Plug in shorting link.
- # Available with M4 Size Terminals.
- # Provided with 3 Meter wire for 1A Output.
- # Provided with 1 Meter wire for 5A Output.
- # Wide range of system current ratings.
- # Assured Core contact with Latching Type Snap fitment.
- # Vibration Resistant Design.



Locking Profile to avoid Accidental Opening

* Used With Provided Cable & tighten with the torque of 2 Nm



Measure



Control

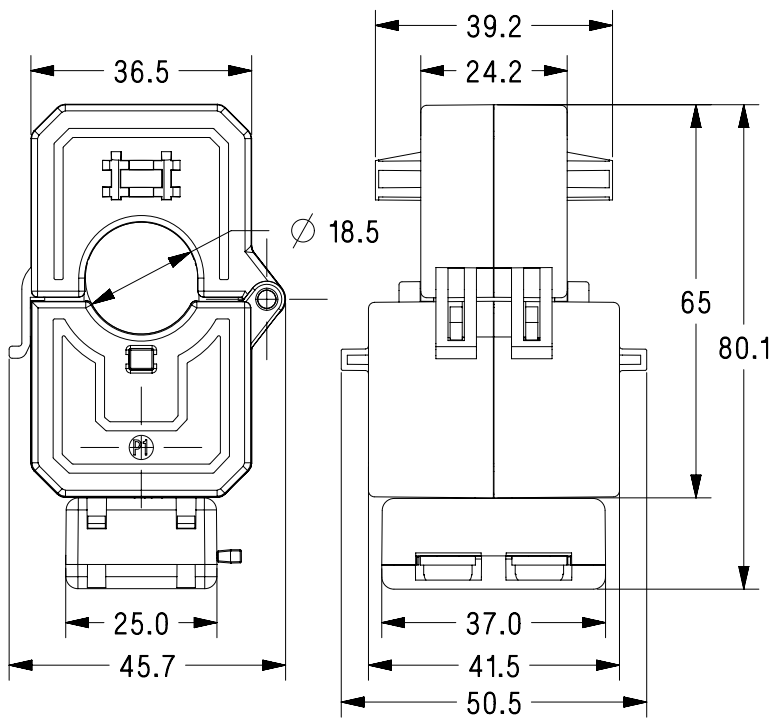


Record



Analyze

Compact Split CT 36-18



Compact Split CT 36-18

Secondary 5A			Secondary 1A		
RATIO	VA	CLASS	RATIO	VA	CLASS
--	--	--	60/1	0.2	3
--	--	--	75/1	0.2	3
--	--	--	80/1	0.2	3
--	--	--	100/1	0.2	3

ALL DIMENSIONS ARE IN mm



Measure



Control

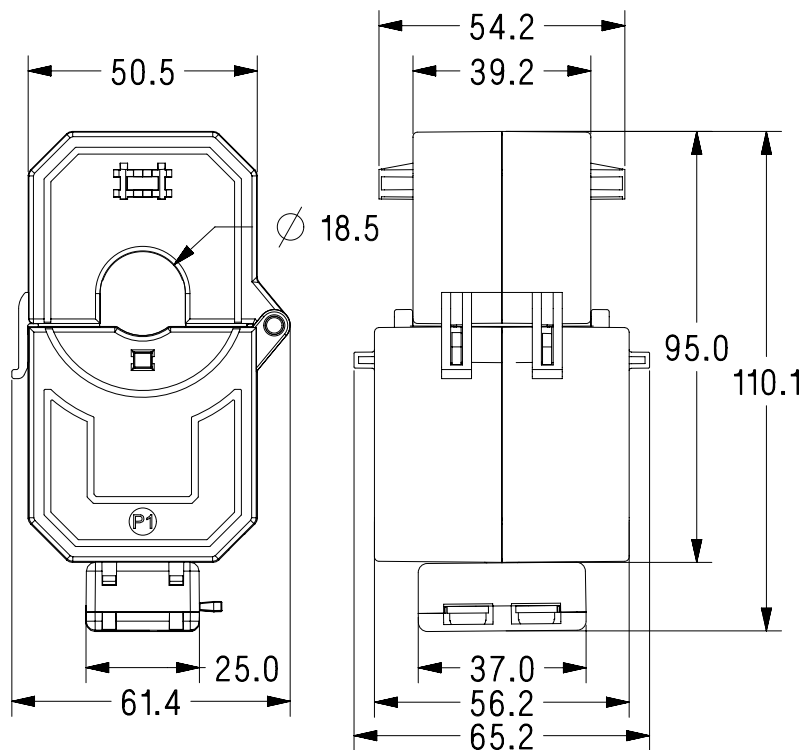


Record



Analyze

Compact Split CT 50-18



Compact Split CT - 50/18

Secondary 5A			Secondary 1A		
RATIO	VA	CLASS	RATIO	VA	CLASS
--	--	--	100/1	0.2	3
--	--	--	125/1	0.2	3
150/5	0.2	1	150/1	0.2	1
200/5	0.2	1	200/1	0.2	1
250/5	1	1	250/1	1	1

ALL DIMENSIONS ARE IN mm



Measure



Control

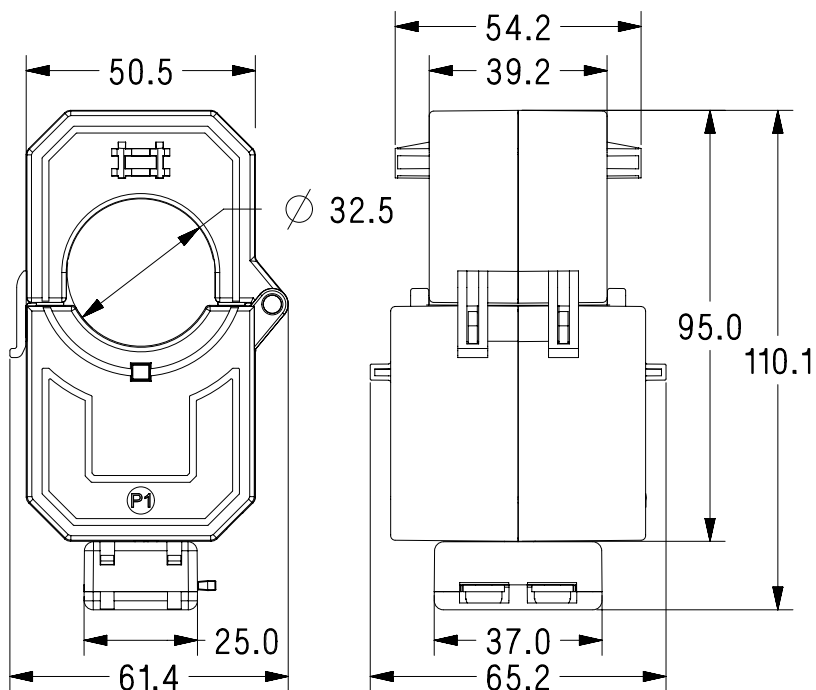


Record



Analyze

Compact Split Core CT 50-32



Compact Split CT - 50/32

Secondary 5A			Secondary 1A		
RATIO	VA	CLASS	RATIO	VA	CLASS
--	--	--	200/1	0.2	3
250/5	0.2	1	250/1	0.2	1
300/5	0.2	1	300/1	0.2	1
400/5	0.2	1	400/1	0.2	1
500/5	0.2	1	500/1	0.2	1

ALL DIMENSIONS ARE IN mm



Measure



Control



Record



Analyze



RISHABH

All specifications are subject to change without notice



Measure



Control



Record



Analyze

RISHABH INSTRUMENTS LIMITED

Domestic (India): +91 253 2202028/99 | marketing@rishabh.co.in

International: +91 253 2202004/06/08/99 | global@rishabh.co.in

www.rishabh.co.in