

Switch-Pro™ LC1X

Compact Level Switch Controller



Application

The general purpose level controller is offered in two configurations for pump and valve control. The LC10 accepts one level sensor input and provides one 16A relay for high level control or low level control. The LC11 accepts two level sensor inputs and provides one latching 16A relay for automatic fill or empty control. The optional flash alarm brings attention to level alarm conditions. Package this level controller with our liquid level switch sensors and fittings.



Features

- Fail-safe relay control of pumps or valves with 0-60 second delay
- Optional strobe brings immediate attention to level alarm conditions
- PP enclosure rated NEMA 4X with swivel base for conduit alignment
- Easy setup with LED indicators for sensor, power and relay status
- Invert switch changes relay state from NO to NC without rewiring

Key Benefits

- Controls pumps, valves, horns and alarm indicators
- Mounts directly on Flowline level switches or fittings
- Corrosion resistant enclosure for indoor or outdoor use
- Complete solution for level switch control requirements



Compatible Products



LU10

SWITCH-TEK™

Ultrasonic Level Switch

Broadly applied in chemicals and light weight oils



LZ12

SWITCH-TEK™

Vibration Level Switch

Applied in wastewater with light coating or scaling



LV10

SWITCH-TEK™

Vertical Buoyancy Level Switch

Applied in clean water and non-coating chemicals

Switch-Pro™ LC1X

Compact Level Switch Controller

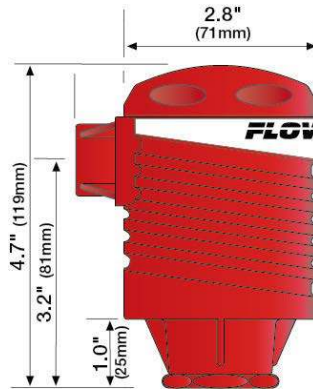


Specifications

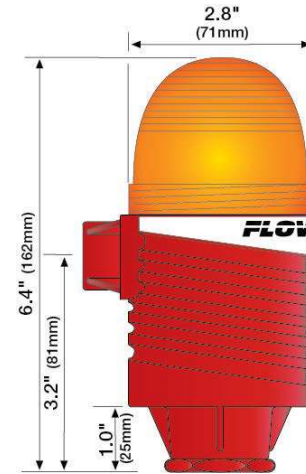
| | |
|--------------------------|--|
| Supply voltage: | 120 / 240 VAC @ 50-60 Hz. |
| Consumption: | 5 watts maximum |
| Sensor inputs: | LC10: (1) Two wire level switch LC11: (2) Two wire level switches |
| Sensor supply: | 13.5 VDC @ 27 mA |
| LED indication: | Sensor, power & relay |
| Strobe type: | -10X1: N/A -10X2: Xenon tube |
| Strobe flash: | -10X1: N/A -10X2: 1 per second |
| Contact type: | LC10: (1) SPDT relay LC11: (1) SPDT latching relay |
| Contact rating: | 250 VAC @ 16A |
| Contact output: | Selectable NO / NC |
| Contact delay: | 0.15 - 60 seconds |
| Contact latch: | LC10: N/A LC11: Selectable ON/OFF |
| Ambient temp.: | F: -40° to 140° C: -40° to 60° |
| Pressure: | Atmospheric |
| Enclosure rating: | NEMA 4X (IP65) |
| Encl. material: | -10X1: PP, UL94VO -10X2: PP, UL94VO & PC |
| Conduit entrance: | 1/2" NPT |
| Enclosure mount: | 3/4" NPT (3/4" R) |
| Classification: | General purpose |
| Compliance: | CE |
| Approvals: | CSA, LR 79326 |

Dimensions

Without Strobe Alert



With Strobe Alert

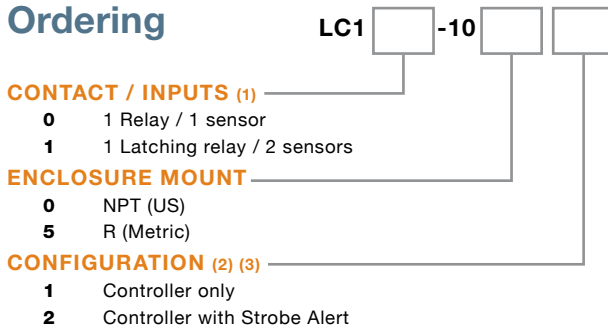


Strobe Alert

The Controller with Strobe Alert configuration flashes when the relay is energized during a high or low level alarm condition, bringing immediate visual attention.



Ordering



NOTES

- 1) The level controller is compatible with Flowline level switch sensors and installation fittings.
- 2) CE compliance is only available in the controller only configuration. Add -CE to the part number (i.e. LC10-1001-CE).
- 3) For 240 VAC versions, include a -E to the part number (i.e. LC0-1001-E).