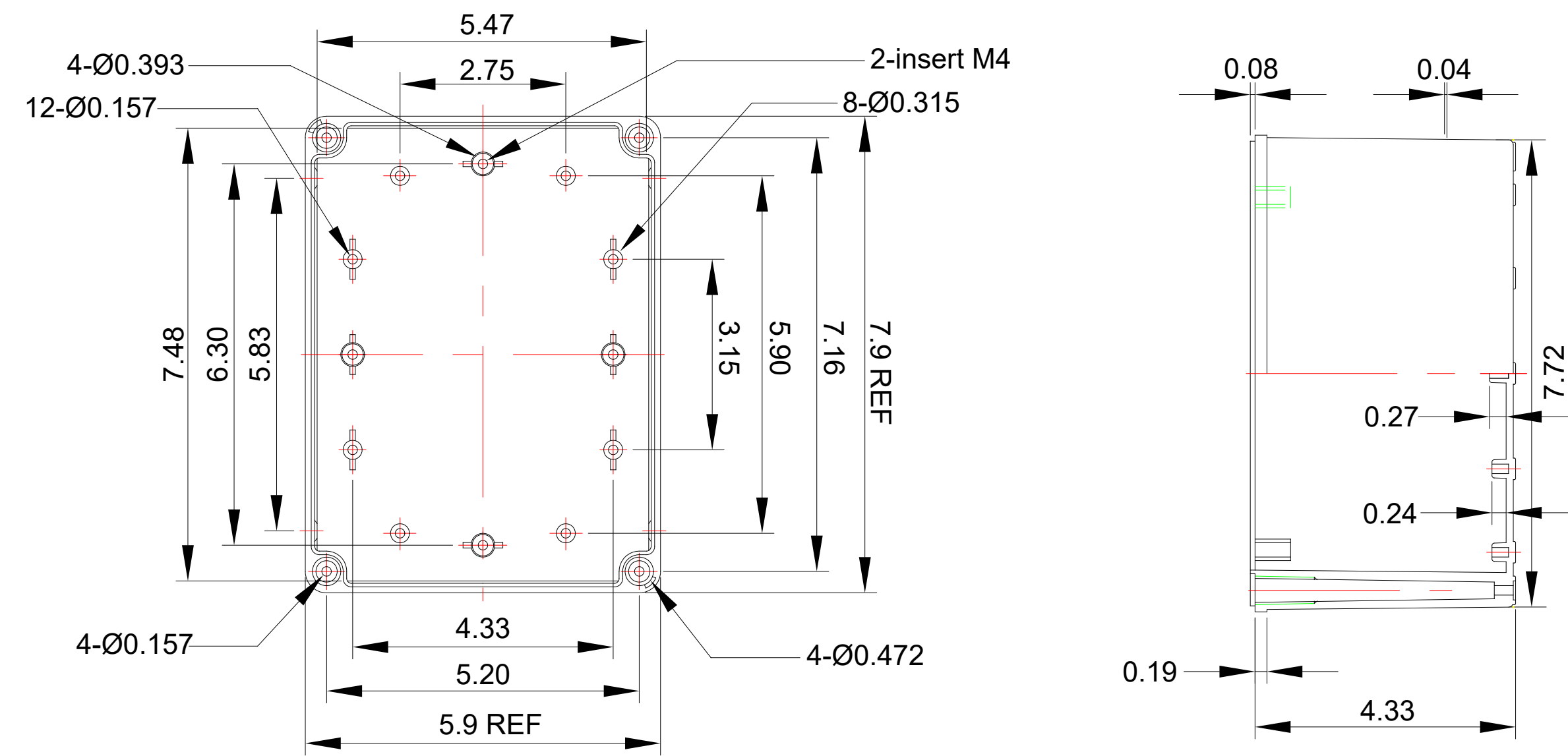
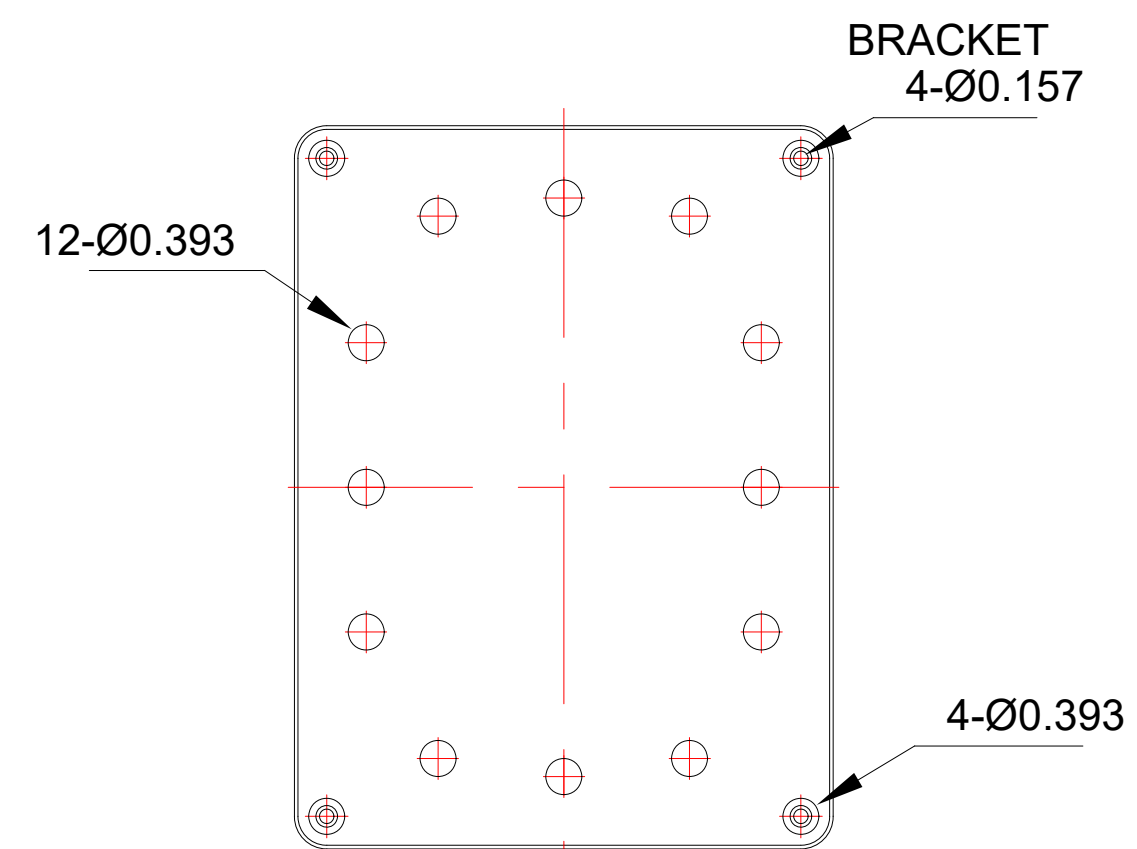
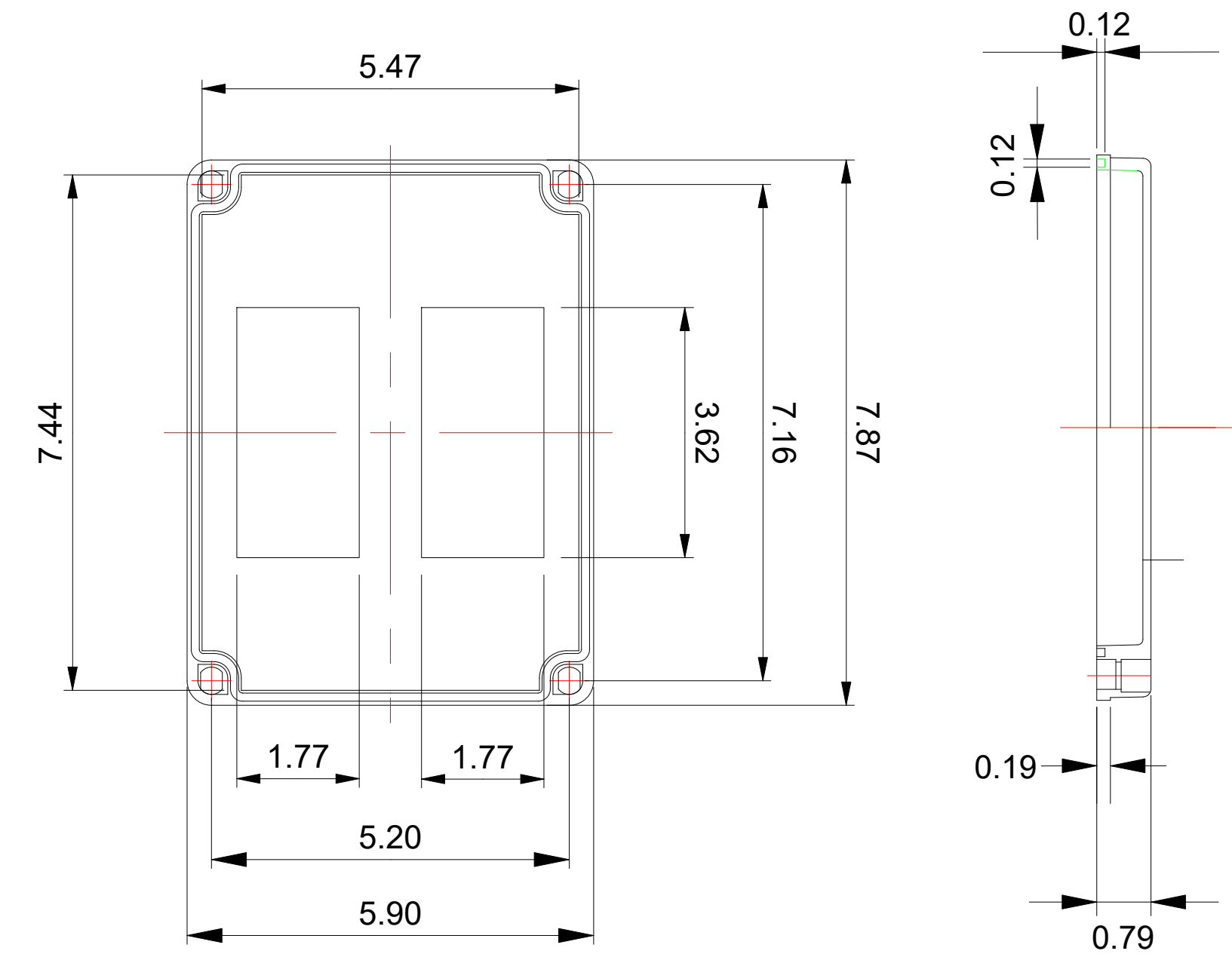


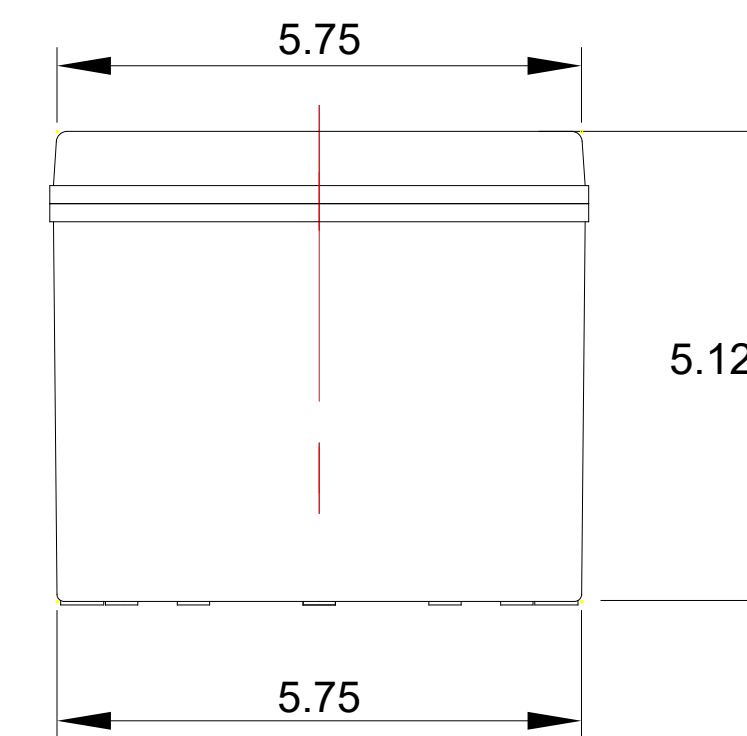
**BODY**



**COVER**



**BOTTOM VIEW**



NOTES: ALL DIMENSIONS SHOWN ARE IN INCHES.

DRAWN  
P. Colin  
02/01/2016

FLOWLINE, INC.  
LOS ALAMITOS, CA 90720

LM91-2001 ENCLOSURE  
DRAWING FILE  
301688 REV A

SCALE 1:2 SIZE D (34 x 22) SHEET 1 OF 1