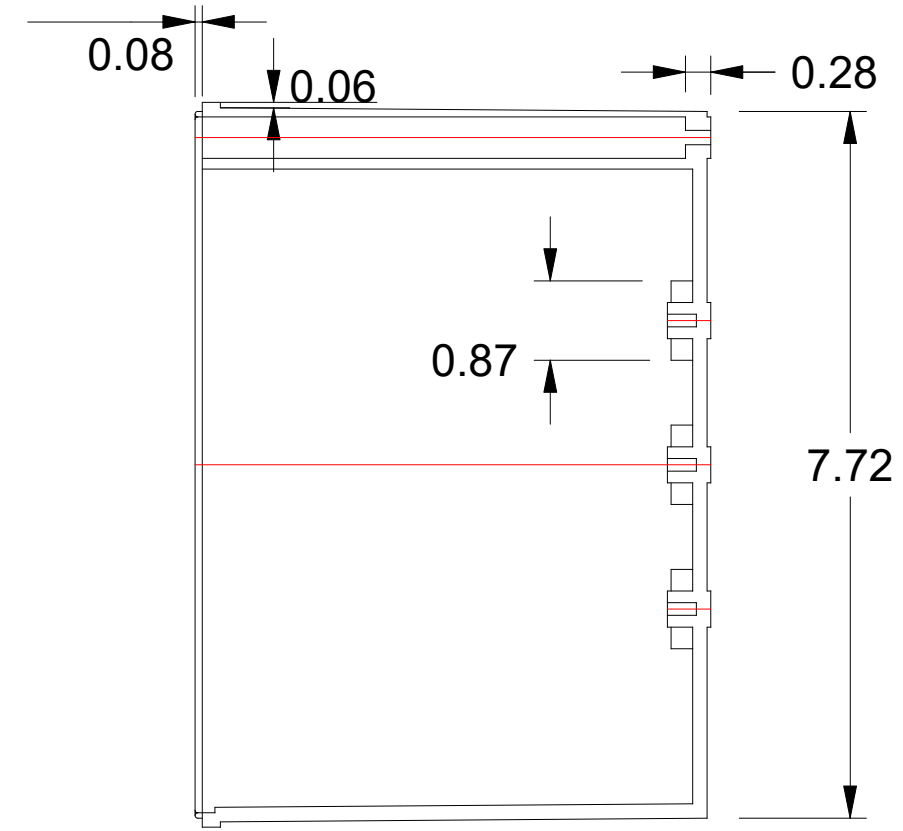
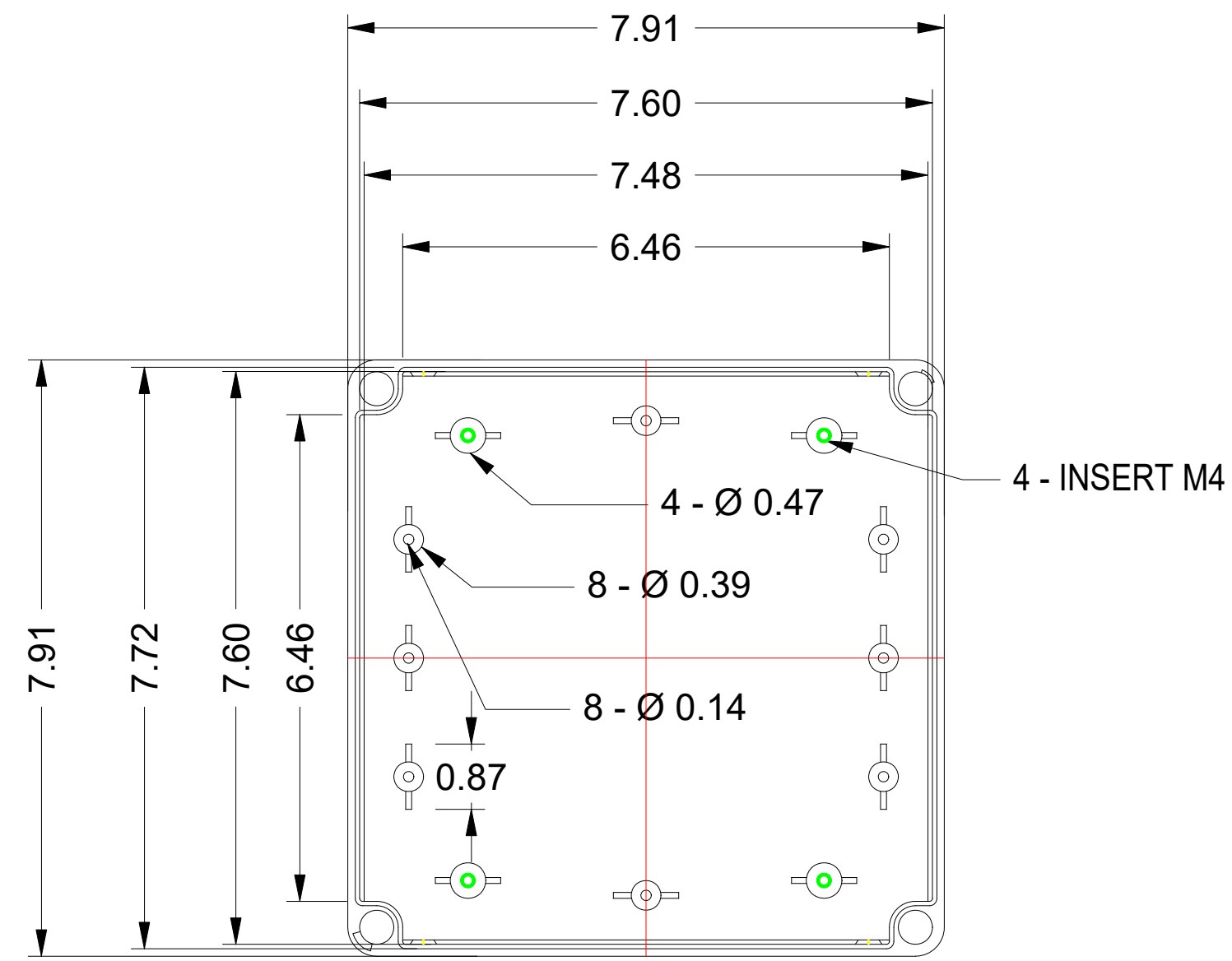
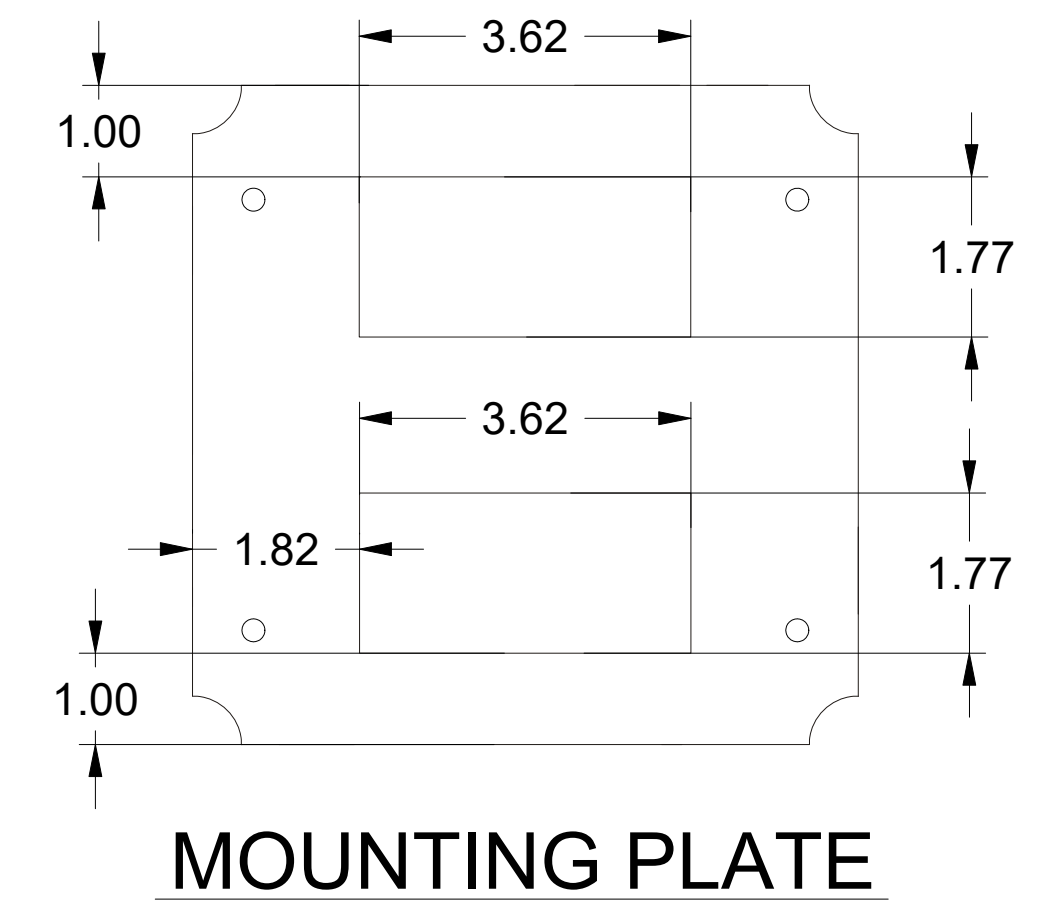
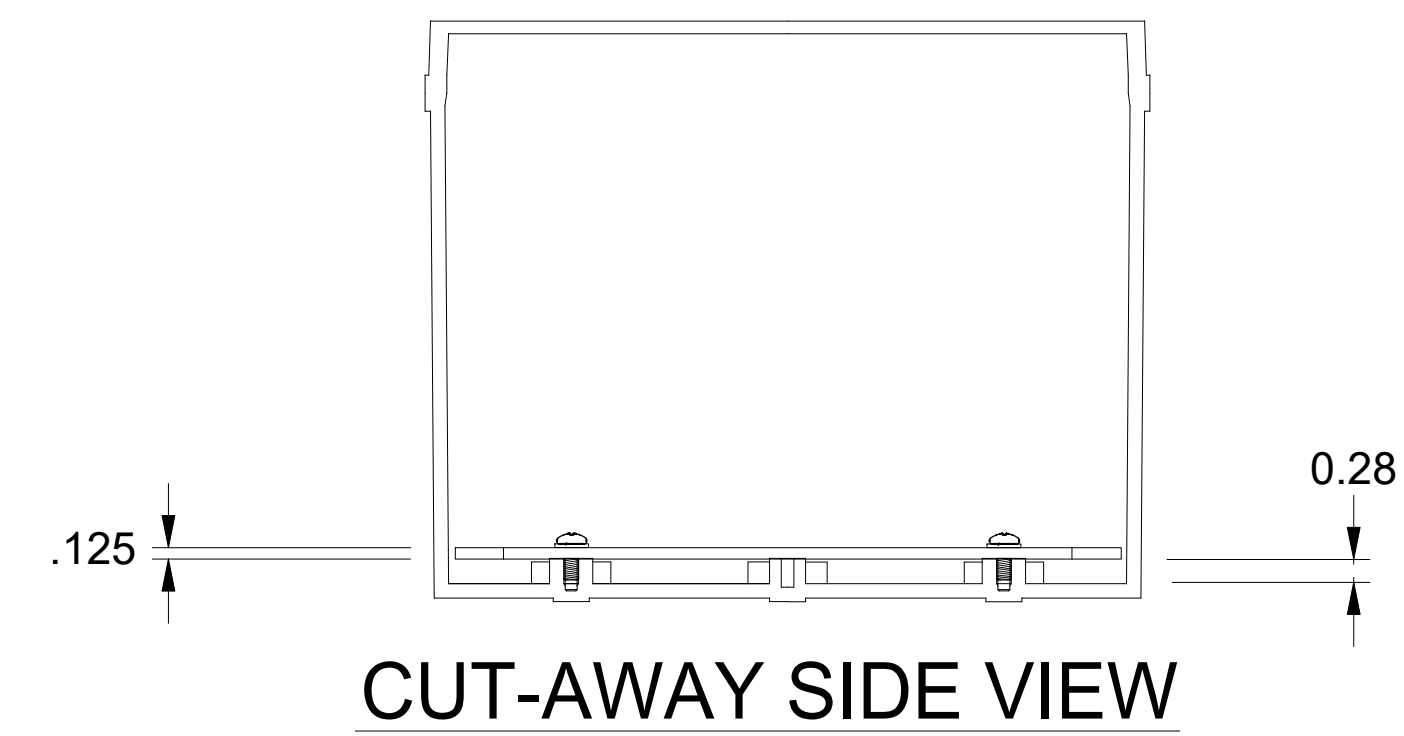
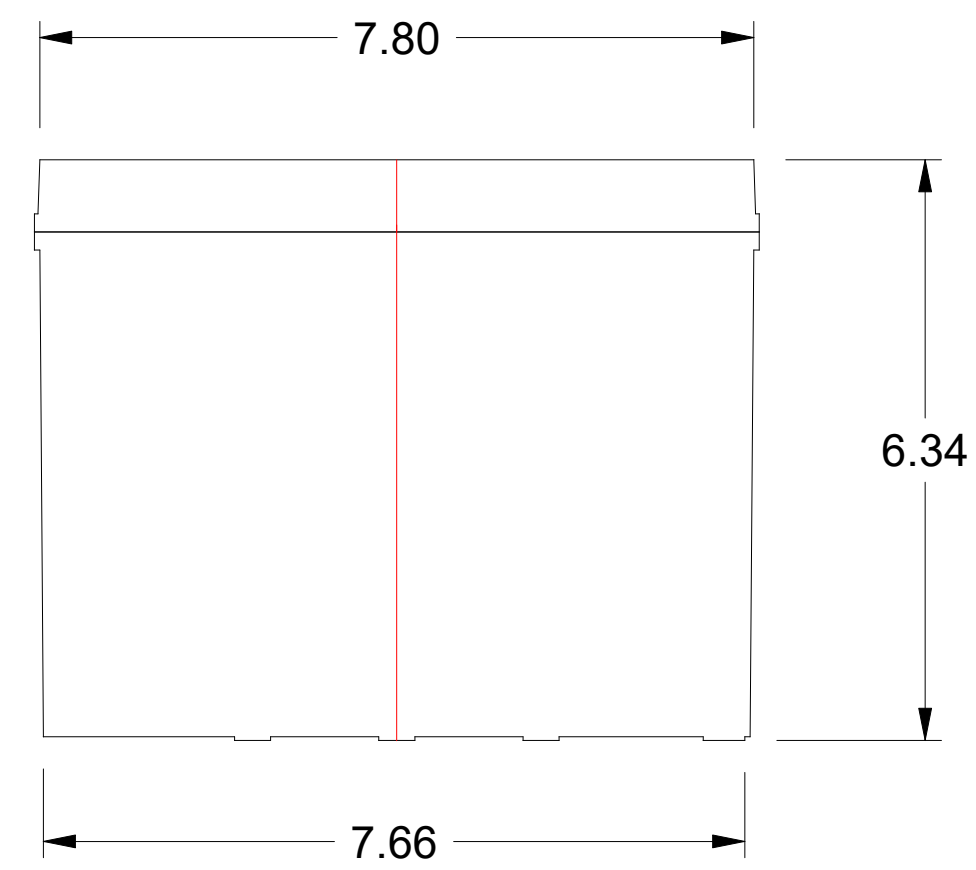
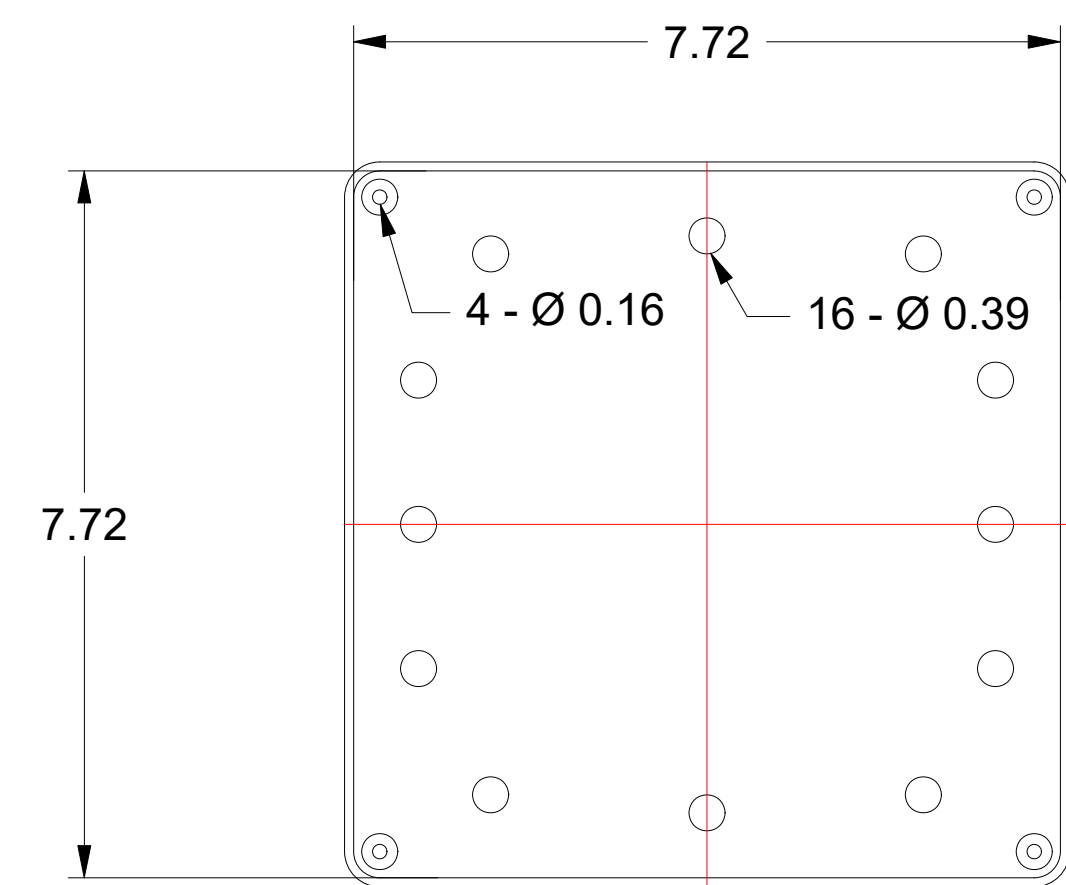
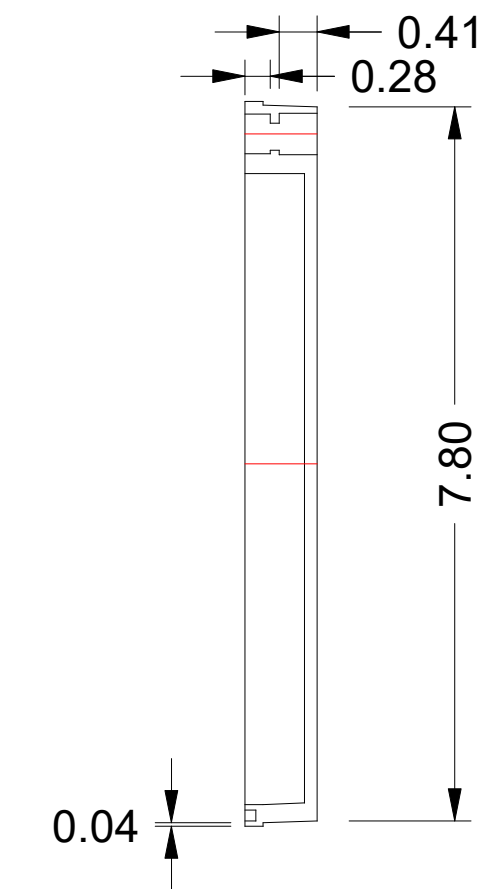
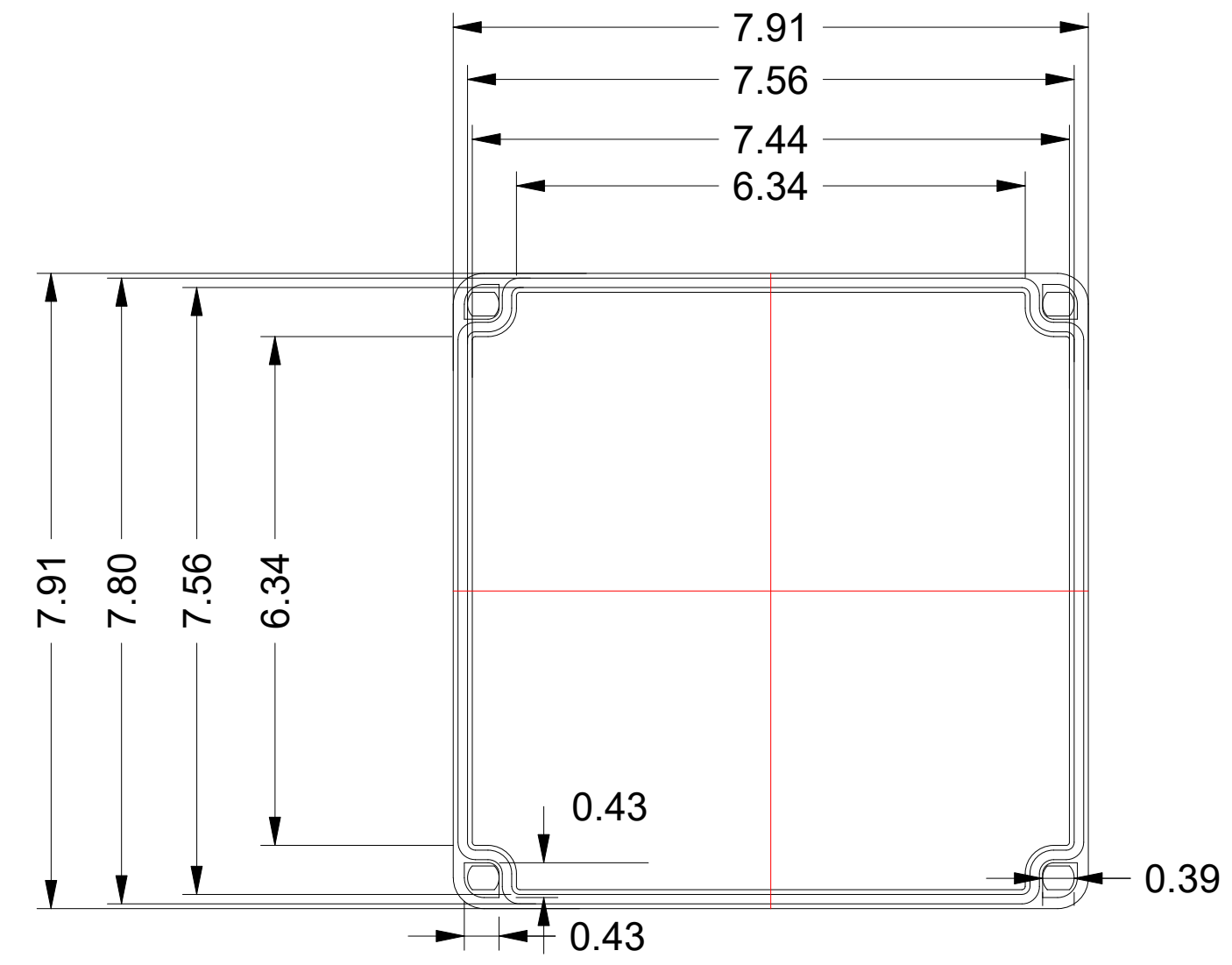


BODY

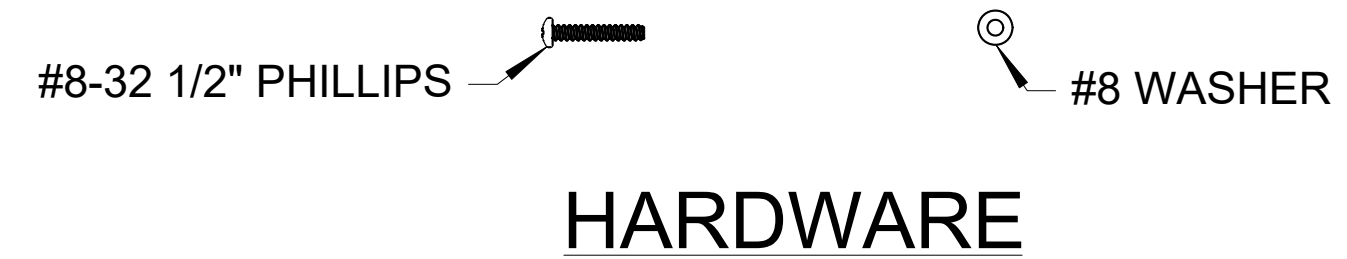


COVER



BOTTOM VIEW

NOTES: ALL DIMENSIONS SHOWN ARE IN INCHES.



DRAWN
P. COLIN
02/01/2016

FLOWLINE, INC.		
LOS ALAMITOS, CA 90720		
LM92-2202 ENCLOSURE DRAWING FILE 301686 REV A		
SCALE 1:2	SIZE D (34 x 22)	SHEET 1 OF 1