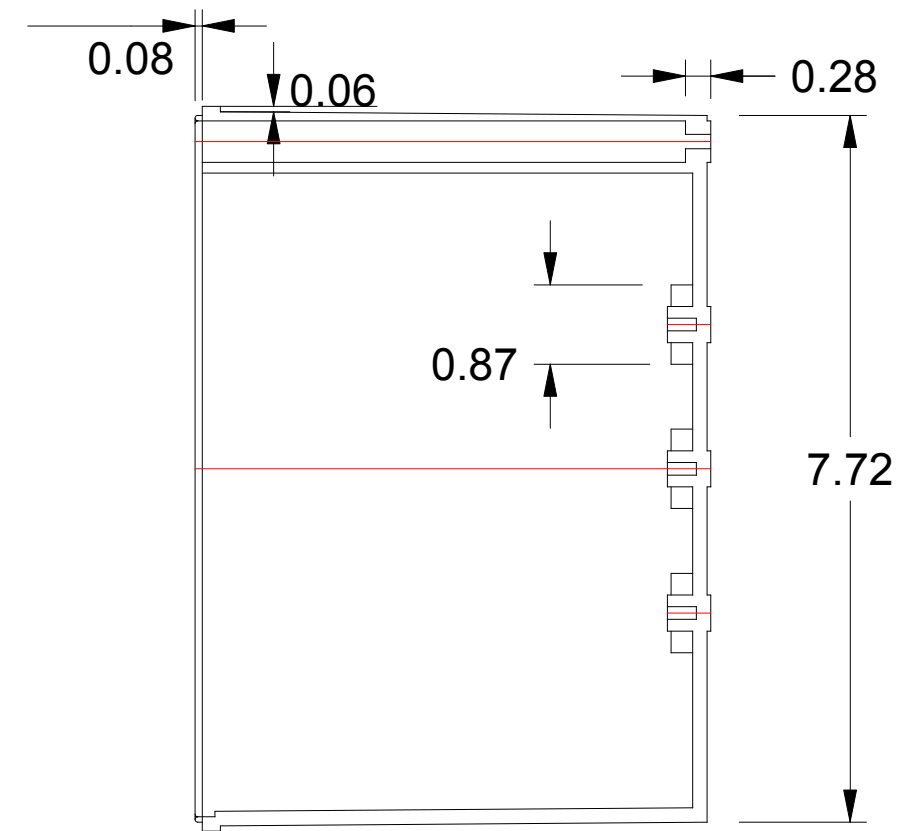
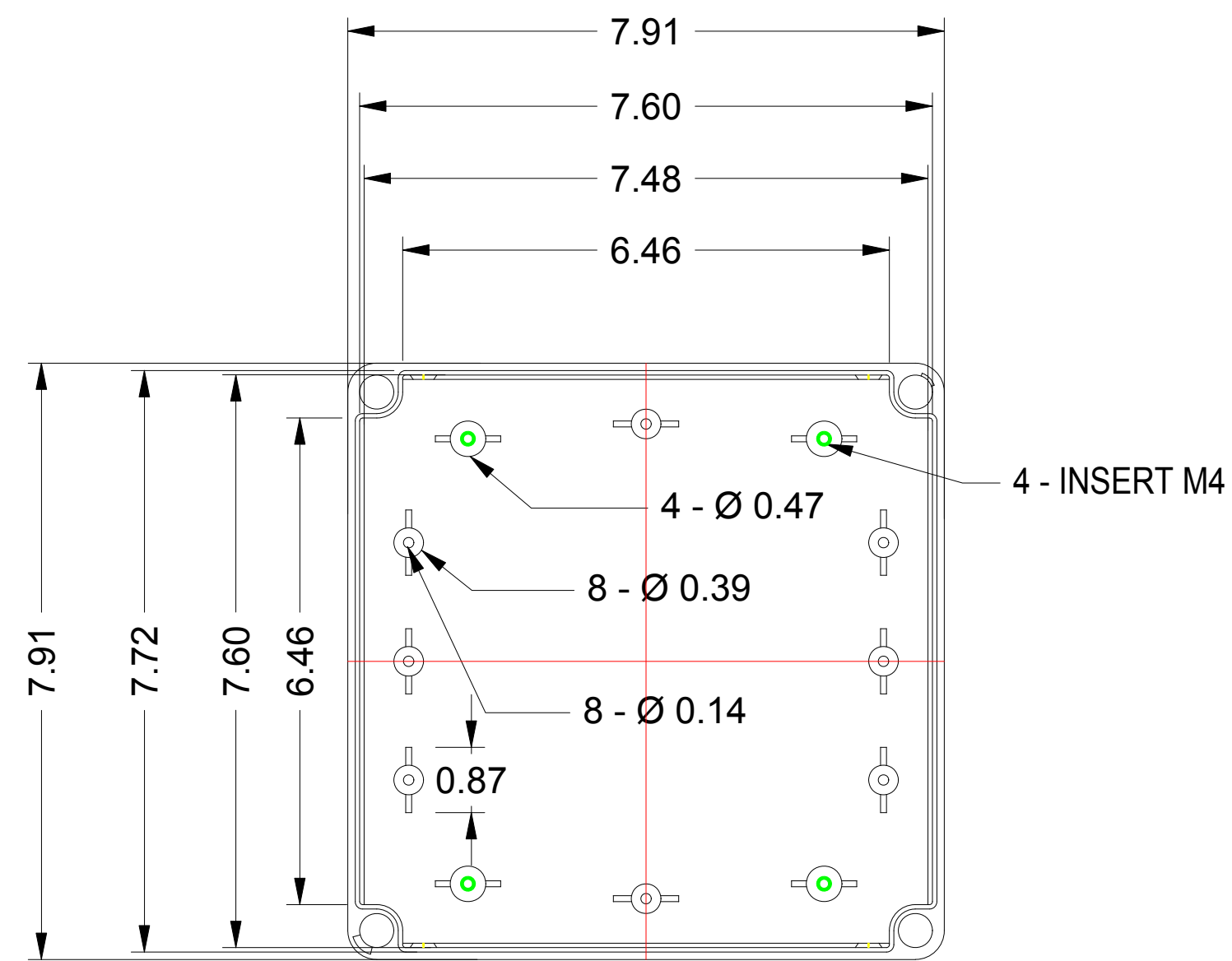
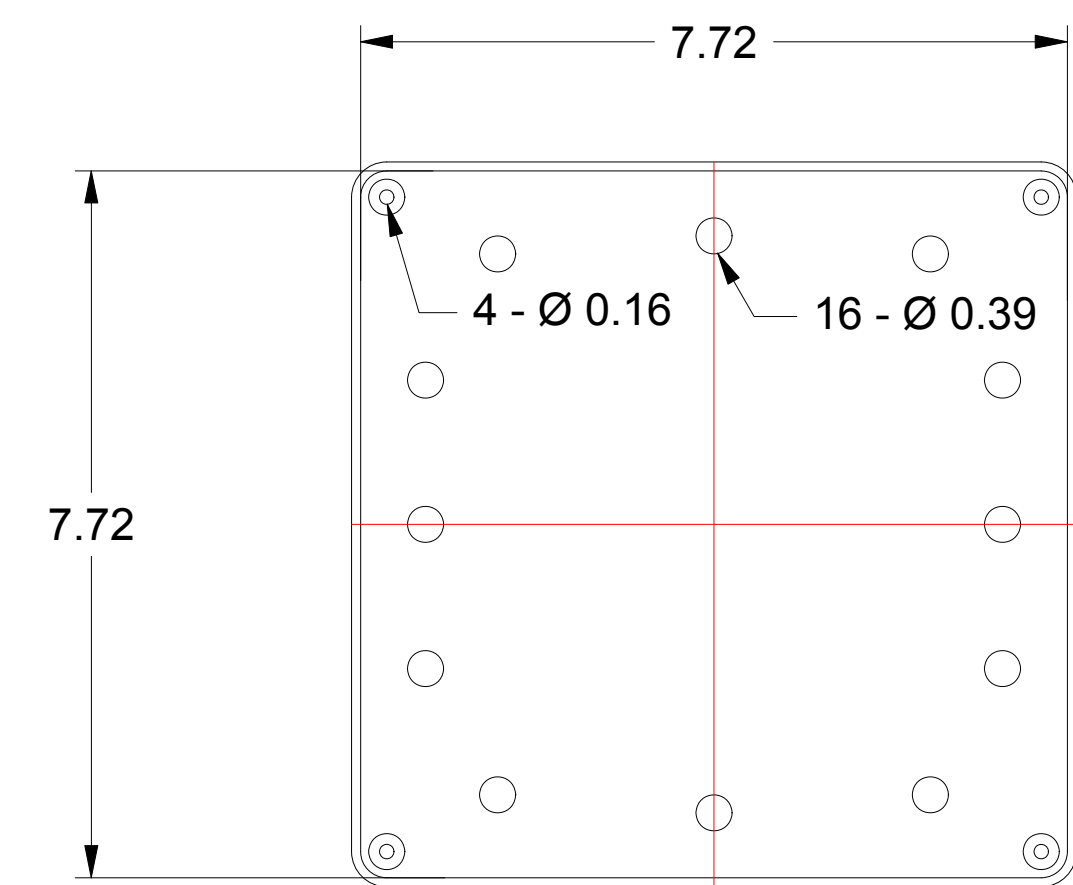
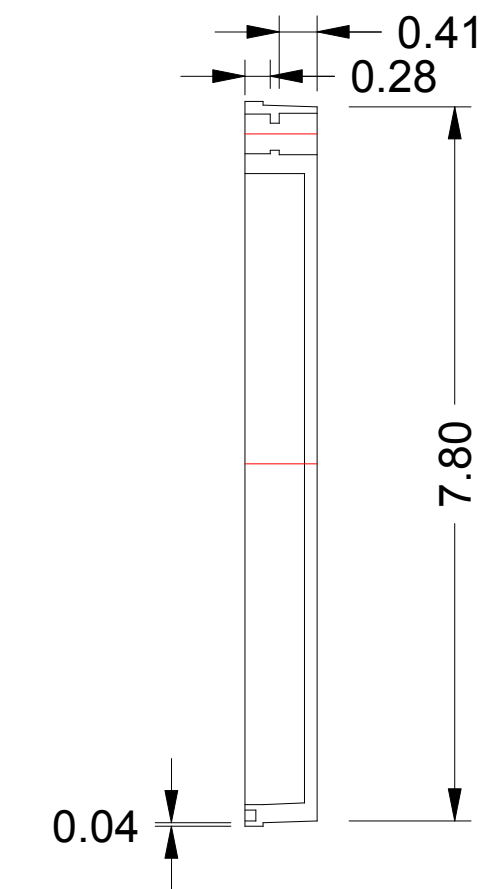
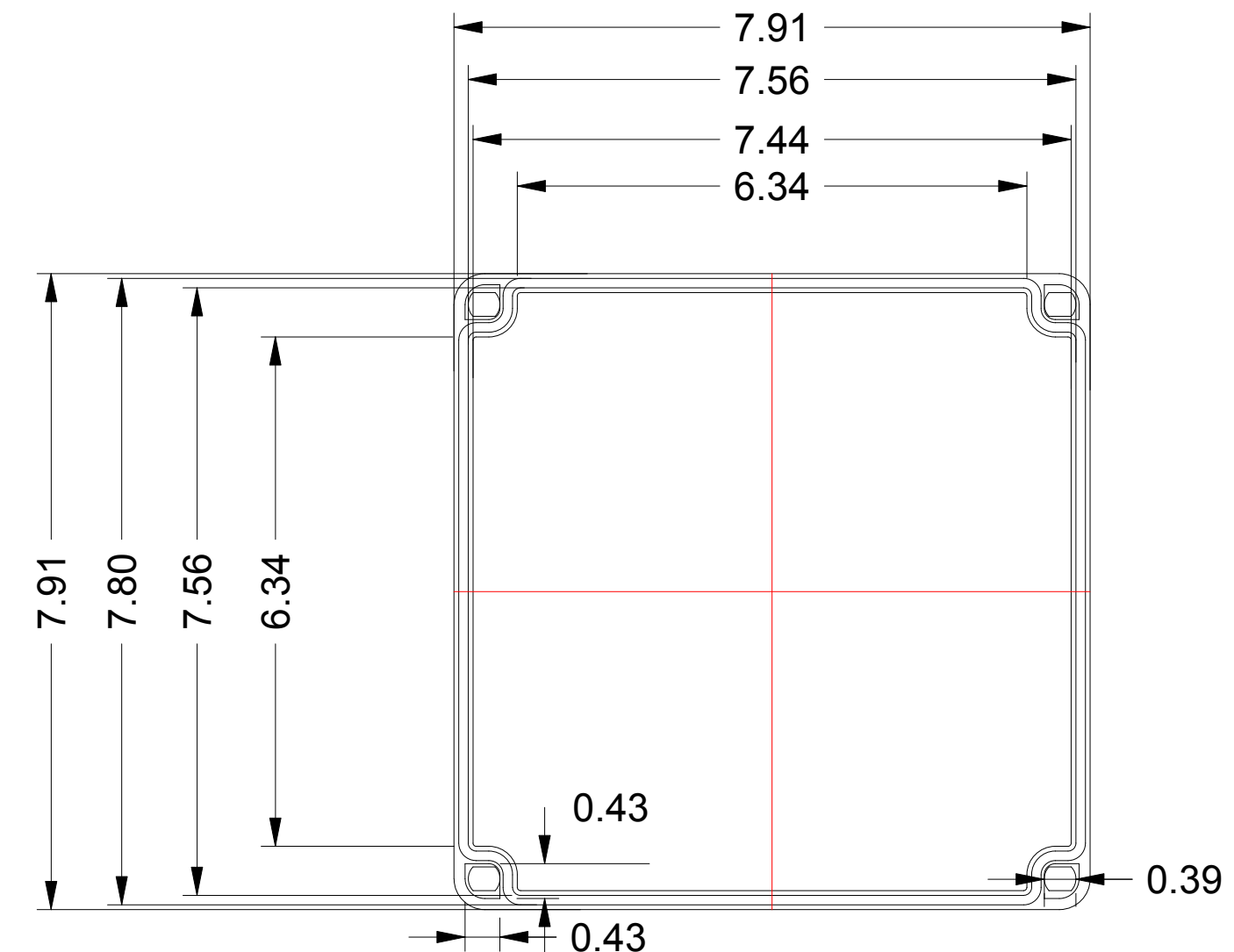


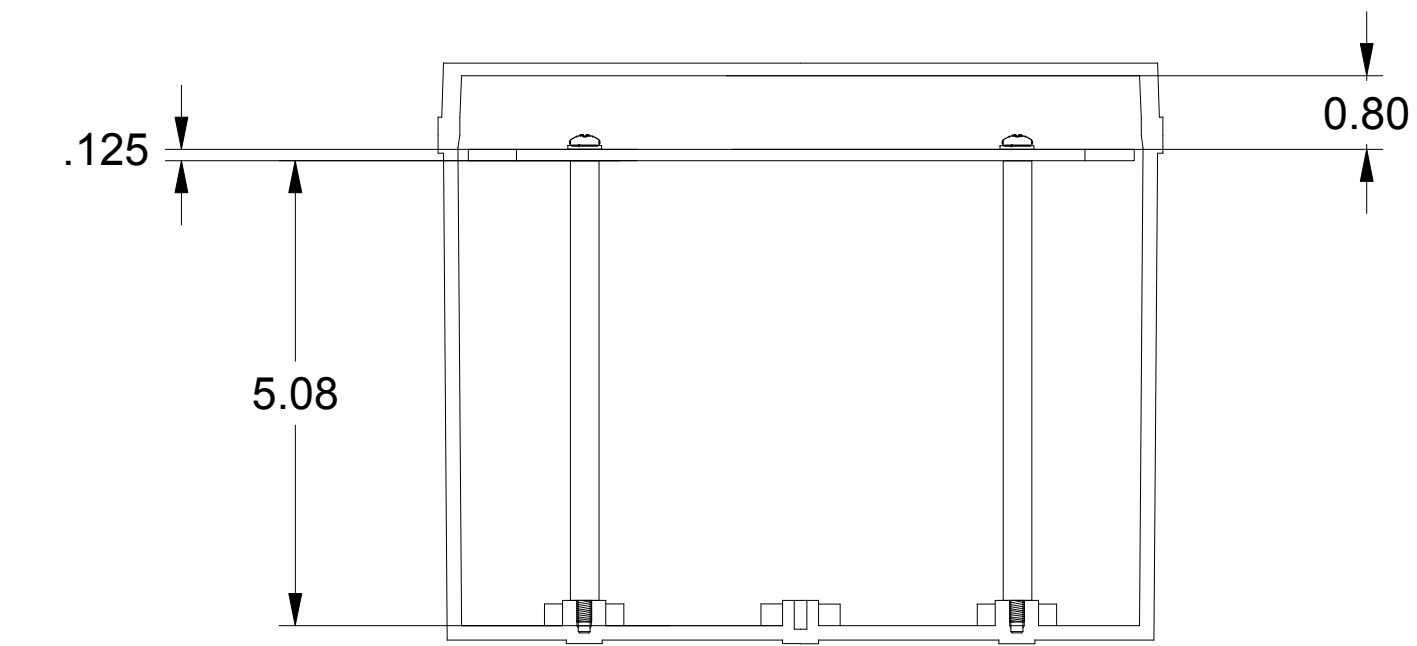
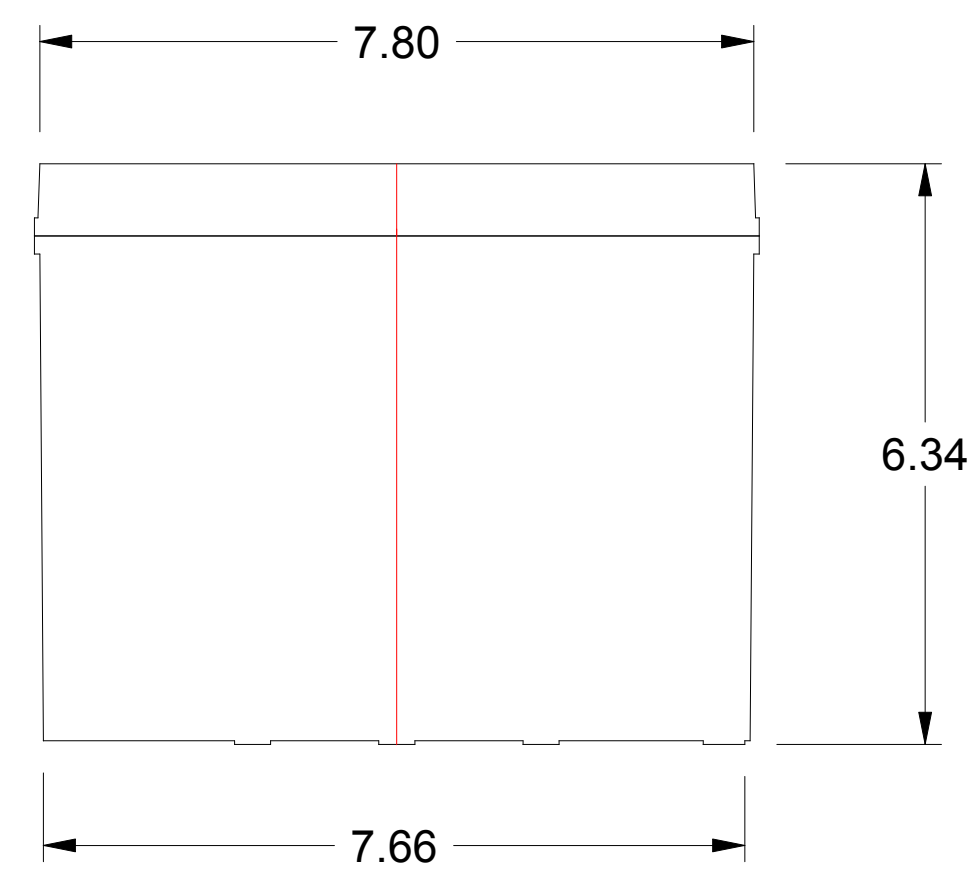
**BODY**



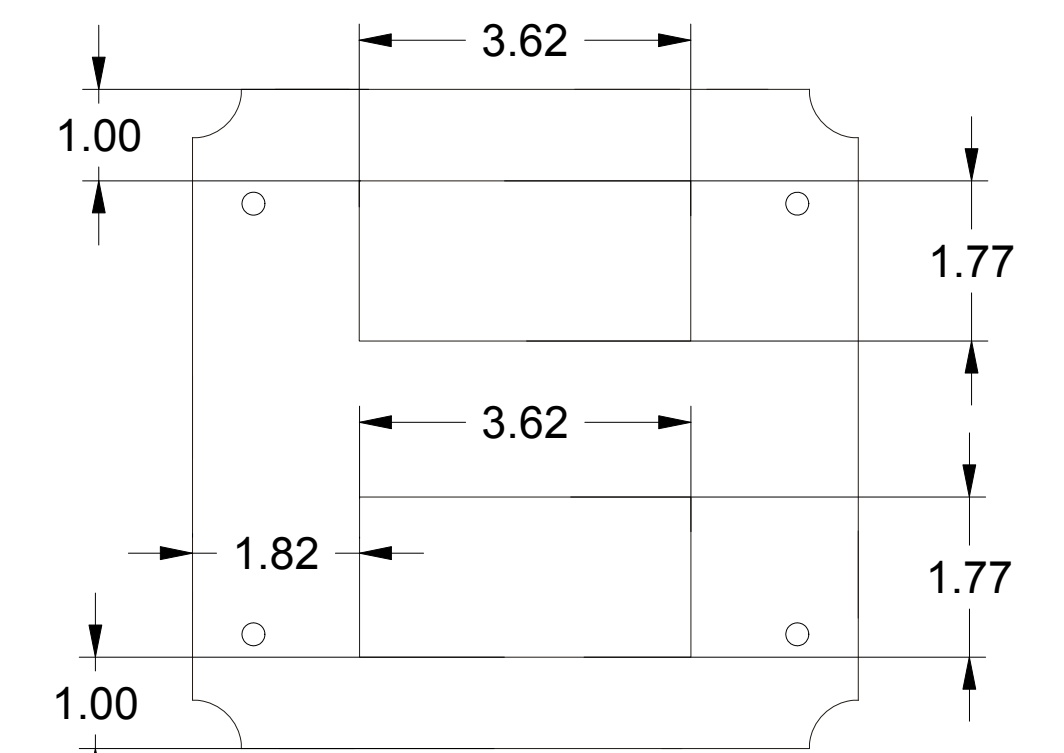
**COVER**



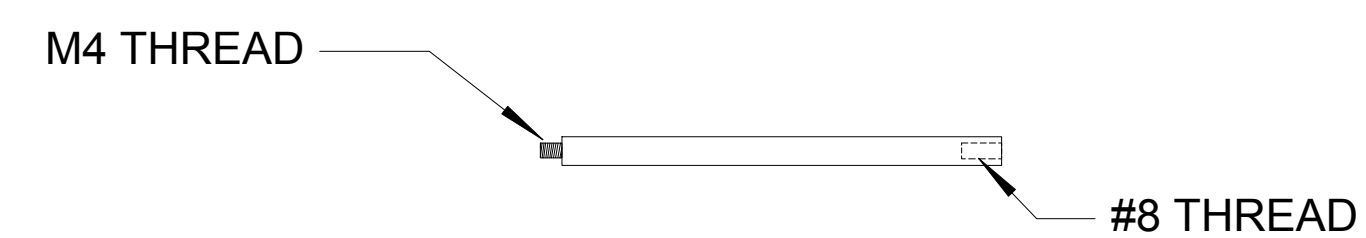
**BOTTOM VIEW**



**CUT-AWAY SIDE VIEW**



**MOUNTING PLATE**



**STAND-OFF**



**HARDWARE**

NOTES: ALL DIMENSIONS SHOWN ARE IN INCHES.

DRAWN  
P. COLIN  
02/01/2016

**FLOWLINE, INC.**

LOS ALAMITOS, CA 90720

**LM92-2002 ENCLOSURE  
DRAWING FILE  
301682 REV A**