



Part no.	IX2203
Product Name	Penta-band 3G antenna Screw Mount with 3m cable
Feature	<p>3 meter low loss cable NFC-200 SMA(M) Low profile, height just 19.5mm and diameter 55mm Heavy duty screw mount UV and vandal resistant PC housing and thread IP67 compliant Pentaband antenna 800 MHz to 2200 MHz GSM/CDMA/HSPA/UMTS Extended operation temperature range RoHS Compliant</p>

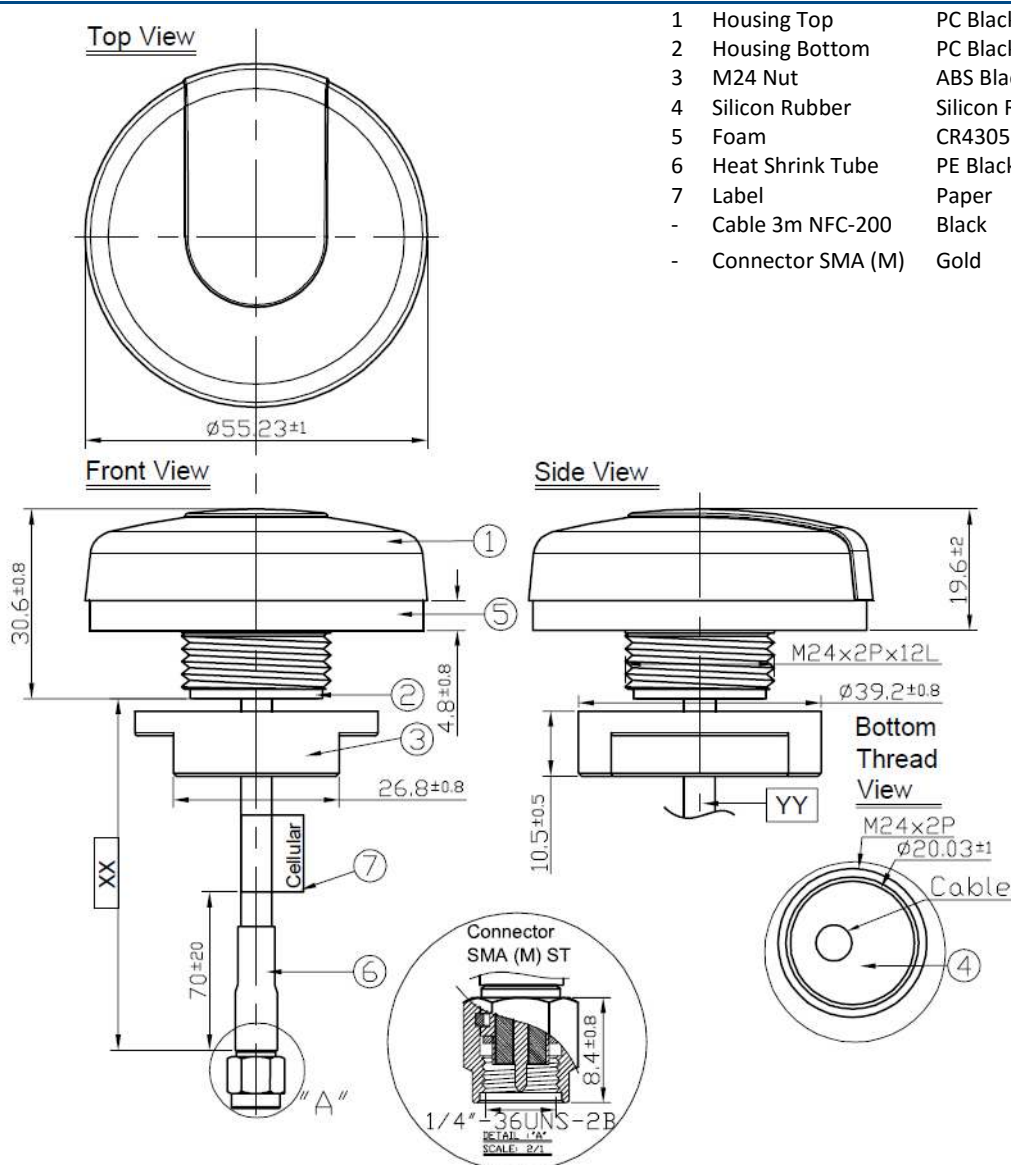
Electrical

Communication System	AMPS	GSM	DCS	PCS	UMTS
Frequency	824 – 896	880 – 960	1710 – 1880	1850 – 1990	1710 – 2170
Efficiency (free space)	39.1 %	39.3 %	53.4 %	52.5 %	53.4 %
Gain (dBi, free space)	2.0	1.8	3.9	3.9	3.9
Impedance	50 Ω				
Polarization	Linear				
Radiation Pattern	Omni-directional				
Input Power	10 W				

Environmental

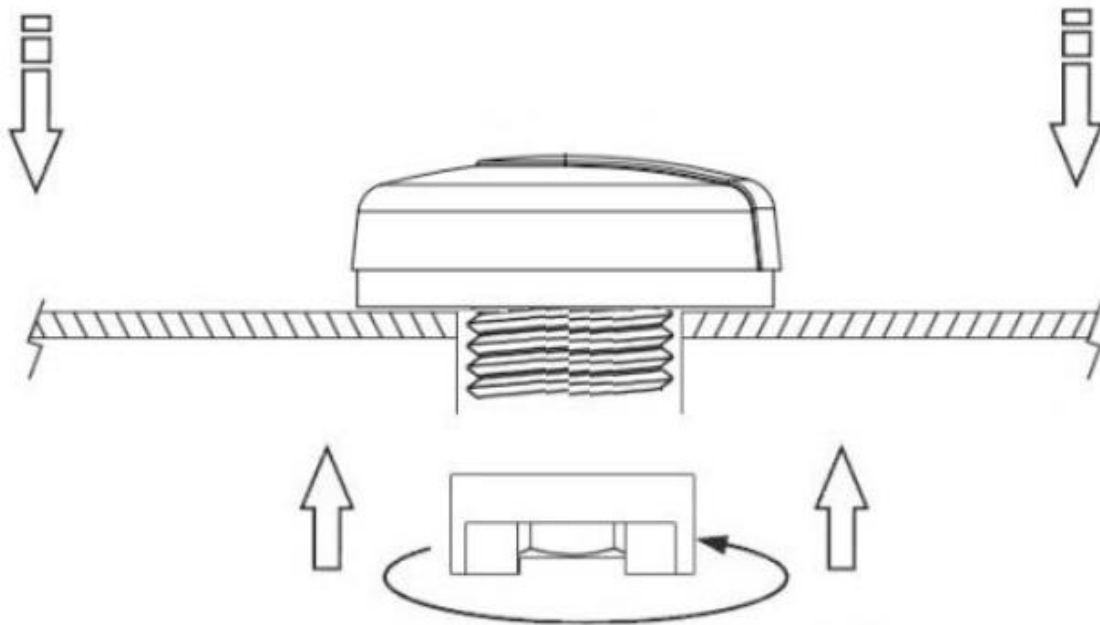
Temperature Range	-40 °C to 85 °C
Casing	Non-condensing 65 °C 95% RH

Mechanical Drawing (unit:mm)



1	Housing Top	PC Black
2	Housing Bottom	PC Black
3	M24 Nut	ABS Black
4	Silicon Rubber	Silicon Rubber Black
5	Foam	CR4305 + 3M9445 Black
6	Heat Shrink Tube	PE Black
7	Label	Paper
-	Cable 3m NFC-200	Black
-	Connector SMA (M)	Gold

Mounting Instructions (unit:mm)



Recommended torque for Mounting is 3.92N·m
 Maximum torque for Mounting is 4.9N·m

