

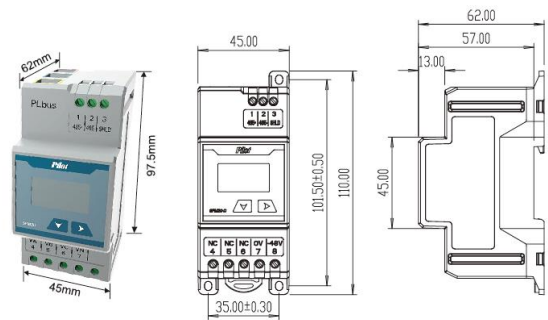
# Function

- Measure -- Voltage, Current, Power, Energy (input / output / total)
- Alarm - Voltage limit alarm (high limit/ low limit), Current limit alarm (high limit), Communication failure alarm
- Communication - Modbus-RTU protocol, RS485 port

# Technical Specification

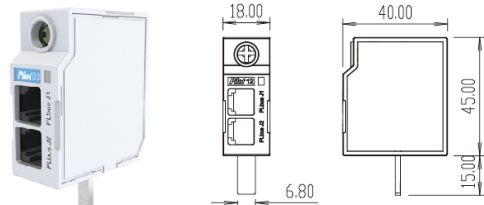
## SPM20-D-M: Main Module

<b>Connection Mode</b>	1 phase 2 wires
<b>Power Supply</b>	-48VDC, range: 50%~125%
<b>Rated Voltage Input</b>	-48VDC, range: 50%~125%
<b>Power Consumption</b>	≤ 15W
<b>Communication</b>	RS485 port, Modbus-RTU protocol Baud Rate: 4800, 9600, 19200bps Address: 1~247
<b>Installation</b>	DIN35 DIN Rail or back screw fixed



## CDS: Measure Module

<b>Connection Mode</b>	Daisy chain bus topology and RJ12 port
<b>Measuring Current</b>	10(63) A
<b>Parameter</b>	Voltage, Current, Power, Energy
<b>Installation</b>	Solid Core



# Typical Connection

