

## Application

- **Sub Metering In Commercial Building**
- **Branch Circuit Monitoring**
- **Utility Application**

## Feature

- Suit for 3 phase 4 wire connection mode
- Used for 4x3 phase AC measuring
- LCD display U, I, P, Q, S, PF, F, kWh, kvarh
- Over & Under limit alarm, up to 500 alarm records
- Max. measure current up to 600A
- 33.3mA & 100mA rated current input (optional)
- LED light indicates alarm & communication status
- Standard 35mm DIN Rail Mount



## Main Function

### Real-time Measurement

- Voltage, Current, Active Power, Reactive Power, Apparent Power, Power Factor, Frequency, Active Energy, Reactive Energy

### Data Logging Every 15 Minutes (Under Programming)

- Total active energy, total active power, current

### Over & Under Limit Alarm & Record Function

- Over voltage, Under voltage, Over current

### Communication

- 1 RS485 port, MODBUS-RTU protocol

## Technical Specification

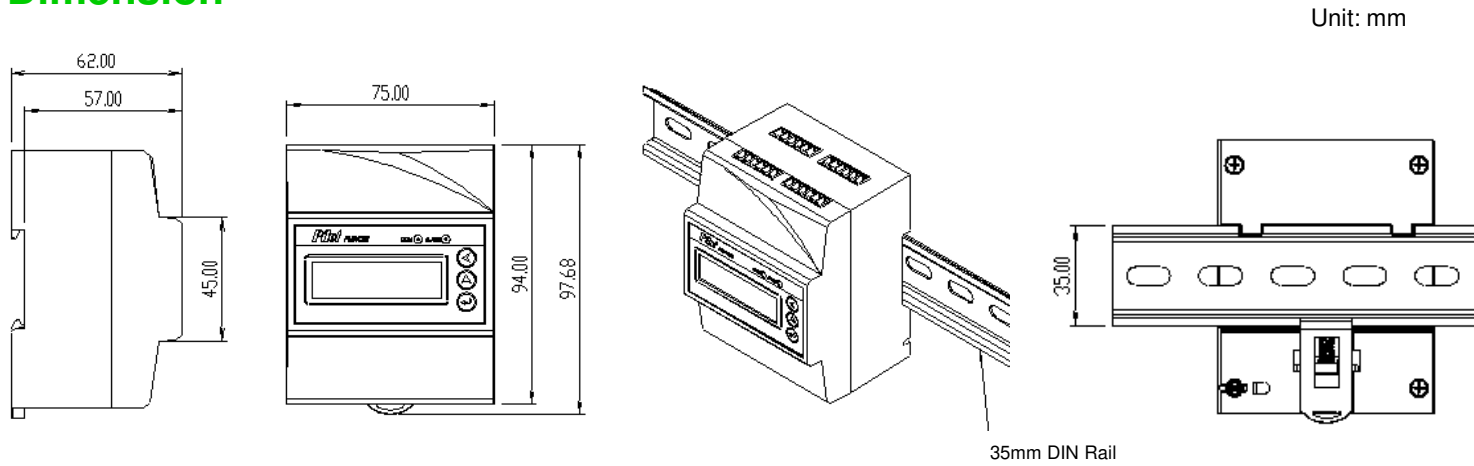
<b>Connection Mode</b>	3 phase 4 wires
<b>Rated Current Input</b>	100 mA & 33.3mA (Optional)
<b>Rated Voltage Input</b>	3*220/380V, 45Hz ~ 65Hz
<b>Power Supply</b>	AC 85 ~ 265V, DC 100~300V
<b>Power Loss</b>	≤2W
<b>Communication</b>	RS485 serial, support Modbus-RTU Baud rate: 4800, 9600 bps Address: 1~247
<b>IP Index</b>	IP52 (front panel), IP20 (whole device)
<b>Dimension (L x W x H)</b>	94*75*62mm
<b>Environment</b>	Operating temperature: -10℃~ +55 ℃ Storage temperature: -40℃~ +70 ℃ Humidity: 5%~95% non-condensing

Parameter	Accuracy	Resolution	Measuring Range
<b>Voltage</b>	0.5%	0.1V	AC 0~300V
<b>Current</b>	0.5%	0.1A	AC 0~600A
<b>Active Power</b>	1.0%	0.1W	each phase: 0~216kW
<b>Reactive Power</b>	2.0%	0.1var	each phase: 0~216kVar
<b>Power Factor</b>	1.0%	0.001	-1.000~+1.000
<b>Frequency</b>	0.5%	0.01Hz	45~ 65 Hz
<b>Active Energy</b>	1.0%	--	0~ 99,999,999.9 kWh
<b>Reactive Energy</b>	2.0%	--	0~ 99,999,999.9 kWh

### Standard (EMC)

Electrostatic discharge immunity test	IEC 61000-4-2: 2001
Radiated immunity test	IEC 61000-4-3: 2002
Electrical fast transient/burst immunity test	IEC 61000-4-4: 2006
Surge immunity test (1, 2/50μs~8/20μs)	IEC 61000-4-5, 2005
Radio frequency immunity	IEC 61000-4-6: 2006
Electromagnetic emission limit	CISPR22: 2006 pass

## Dimension



## Current Transformer



LACT-100C1



LACT-100K1



CTSA



CTSB

## Order Information

		Order Code		Description
<b>Main Module</b>		<b>PMAC211</b>	<b>- M</b>	Main module with 4*3 circuit energy monitoring
<b>CT Accessory</b>	<b>For 33.3mA Secondary</b>	<b>LACT-100K1</b>		Split Core CT: $\Phi 16.2\text{mm}$ , 100A/33.3mA, Class 0.5
	<b>For 100mA Secondary</b>	<b>LACT-100C1</b>		Solid Core CT: $\Phi 12\text{mm}$ , 100A/100mA, Class 0.5
		<b>CTSA016</b>		Split Core CT: $\Phi 16\text{mm}$ , 100A/100mA, Class 0.5
		<b>CTSA024</b>		Split Core CT: $\Phi 24\text{mm}$ , 200A/100mA, Class 0.5
		<b>CTSB0203</b>		Split Core CT: 20*30mm, 400A/100mA, Class 0.5
		<b>CTSB0508</b>		Split Core CT: 50*80mm, 600A/100mA, Class 0.5

Traditional Energy Meter


**Before**

SPM211 Multi-Circuit Energy Meter


**After**

All in One, Cost Saving, Space Saving