

M/MPTLC43.1

KNX 4.3-Inch Enviro Touch Screen

Hardware Version: A2



Datasheet

Issued: June 14, 2019

Edition V1.0.0



Figure 1. KNX 4.3-Inch Enviro Touch Screen

Overview

KNX 4.3-Inch Enviro Touch Screen (See Figure 1) is a multi-function touch panel which supports the control of lighting, switches, air conditioners, FCU, music and floor heating etc. The 4.3-Inch Enviro Touch Screen adopts 4.3-inch true color LCD screen and supports full touch screen control, which is easy and convenient to operate.

Its functions include:

- Built-in temperature sensor
- Adjustable backlight brightness
- The interface icons can be replaced.
- The screen wakes up automatically.
- Displays current time and temperature
- The controller will automatically switch to the clock standby interface according to the preset time. Then the panel will dim and enter power-saving mode.
- With multiple control pages, the panel can control lighting, switches, air conditioners, FCU, music playback, floor heating, etc.
- Supports various control types: Switch Control, Dimming Control, Shutter Control, Flexible Control, Scene Control, Sequence Control, Percentage Control, Threshold Control, String (14 bytes) Control, Alternate Control, Pulse Control, RGB Control, Fan Control, Combination Control.

Components and Operation

Dimensions - See Figure 2 - 4

1. **LCD screen:** 4.3-inch touch screen, used for icon display and touch control. The LCD brightness can be adjusted and the icons can be changed.
2. **Proximity sensor:** IR detection, when someone approaches the panel, the LCD screen will wake up.
3. **Communication interface:** KNX connector for connecting to KNX Panel Power Interface US (with External Power Supply) (M/PCI2PU.2)
4. **Mounting slot:** Connects to KNX Panel Power Interface US (with External Power Supply) .
5. **Split gap:** Insert a slotted screwdriver to the split gap, then separate the panel and power interface.

Installation

Installation - See Figure 5

- Step 1. Install the wall box in the wall.
- Step 2. Fix the power interface onto the wall box with screws.
- Step 3. Hold the edge of the panel, and insert the panel in the slots of power interface vertically.

Important Notes

- The panel must be wall box installation.
- The panel must work in conjunction with KNX Panel Power Interface US (with External Power Supply) (M/PCI2PU.2).
- The device is compliant with the KNX standard and the parameters are set by the Engineering Tool Software (ETS).
- Change icons via HDL KNX Assistant Software.

Safety Precautions

- The installation and commissioning of the device must be carried out by HDL or the organization designated by HDL. For planning and construction of electric installations, the relevant guidelines, regulations and standards of the respective country are to be considered.
- HDL does not take responsibility for all the consequences caused by installation and wire connection that are not in accordance with this document.
- Please do not privately disassemble the device or change components, otherwise it may cause mechanical failure, electric shock, fire or body injury.
- Please resort to our customer service department or designated agencies for maintenance service. The warranty is not applicable for the product fault caused by private disassembly.

Package Contents

M/MPTLC43.1*1 / Datasheet*1

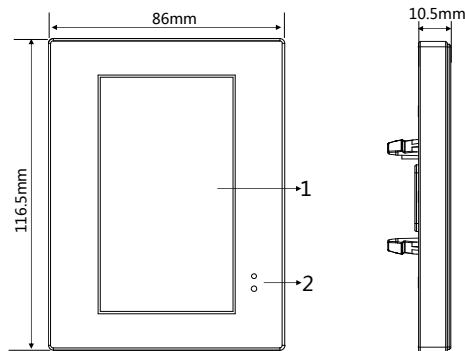


Figure 2. Dimensions - Front View

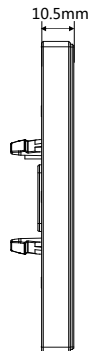


Figure 3. Dimensions - Side View

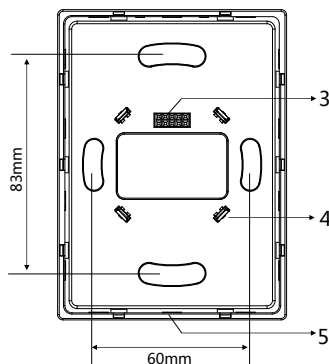


Figure 4. Dimensions - Back View

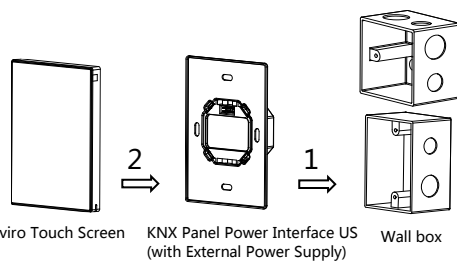


Figure 5. Installation

Technical Data

Basic Parameters

| | |
|--------------------------------|-------------|
| Working voltage | 21~30V DC |
| Working current | 21mA/30V DC |
| Auxiliary voltage | 20~30V DC |
| Auxiliary current | 10mA/24V DC |
| Communication | KNX |
| Cable diameter of KNX terminal | 0.6 - 0.8mm |

External Environment

| | |
|---------------------------|------------|
| Working temperature | -5°C~45°C |
| Working relative humidity | ≤90% |
| Storage temperature | -20°C~60°C |
| Storage relative humidity | ≤93% |

Specifications

| | |
|---|--------------------------|
| Dimensions | 86×116.5×10.5(mm) |
| Net weight | 137.5g |
| Housing material | Glass, Aluminum, PC, ABS |
| Installation | Wall box (See Figure 5) |
| Protection rating (Compliant with EN 60529) | IP20 |

Name and Content of Hazardous Substances in Products

| Components | Hazardous substances | | | | | |
|------------|----------------------|--------------|--------------|-----------------------|---------------------------------|--|
| | Lead (Pb) | Mercury (Hg) | Cadmium (Cd) | Chromium VI (Cr (VI)) | Poly-brominated biphenyls (PBB) | Poly-brominated diphenyl ethers (PBDE) |
| Plastic | o | o | o | o | o | o |
| Hardware | o | o | o | o | - | - |
| Screw | o | o | o | x | - | - |
| Solder | x | o | o | o | - | - |
| PCB | x | o | o | o | o | o |
| IC | o | o | o | o | x | x |
| Glass | o | o | o | o | o | o |

The symbol "-" indicates that the hazardous substance is not contained.

The symbol "o" indicates that the content of the hazardous substances in all the homogeneous materials of the component is below the limit requirement specified in the Standard IEC62321-2015.

The symbol "x" indicates that the content of the hazardous substance in at least one of the homogeneous materials of the part exceeds the limit requirement specified in the Standard IEC62321-2015.

KNX Cable Guide

| KNX | KNX Cable |
|-----|-----------|
| - | Black |
| + | Red |

Technical support

E-mail: support@hdlautomation.com

Website: <https://www.hdlautomation.com>

©Copyright by HDL Automation Co., Ltd. All rights reserved.
Specifications subject to change without notice.